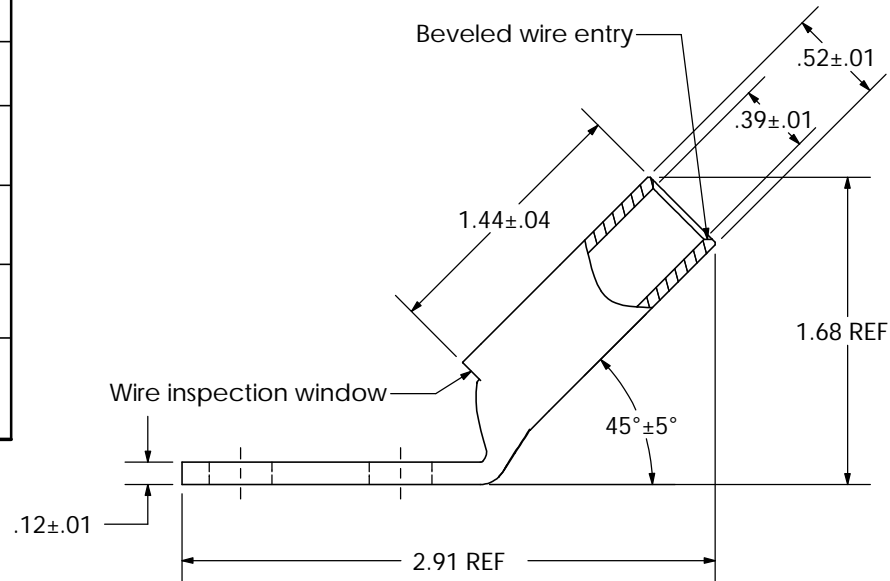
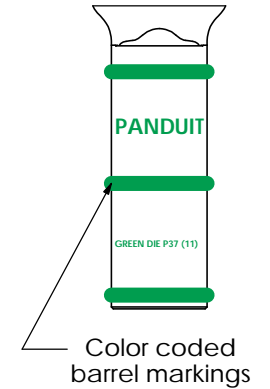
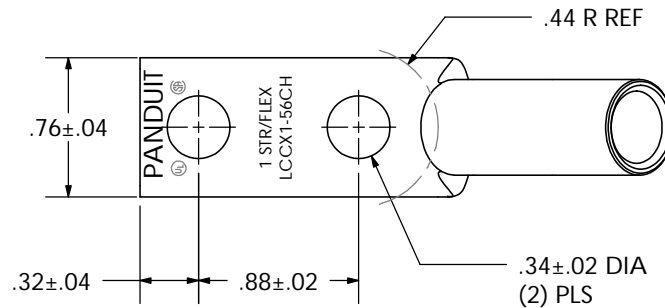


THIS COPY IS PROVIDED ON A RESTRICTED BASIS AND IS NOT TO BE USED IN ANY WAY DETRIMENTAL TO THE INTERESTS OF PANDUIT CORP.

Material	High Conductivity Seamless Copper Tube
Plating	Electro-Tin
Wire Size	1 STR/FLEX
Wire Type	Stranded Copper: Class B & C, Compact, Class G, H, I, K, M, Locomotive
Wire Strip Length	1-1/2 in.
Stud Size	5/16 in.
UL Listed Wire Connector	Yes, for applications up to 35kv. Consult cable manufacturer for voltage stress relief instructions with applications greater than 2000 volts.
UL Temperature Rating	90° C
C.S.A Certified Wire Connector	Yes
Panduit Color Code on Barrel	GREEN
Panduit Die Index No. on Barrel	P37
Alternate Industry Die Index No. ( ) on Barrel	(11)



CERTIFIED



LISTED Wire Connector

00	3/03	SAC							
REV	DATE	BY	CHK	RELEASED					
				DESCRIPTION	ECN	SCALE	N/A	DRAWING NO / CAD FILE	LCCX1-56CH-CUST

**PANDUIT CORP.** TINLEY PARK, ILLINOIS

LCCX1-56CH-X  
Copper Lug - Two-Hole, Long Flex Barrel with Window, 45° Angle Tongue